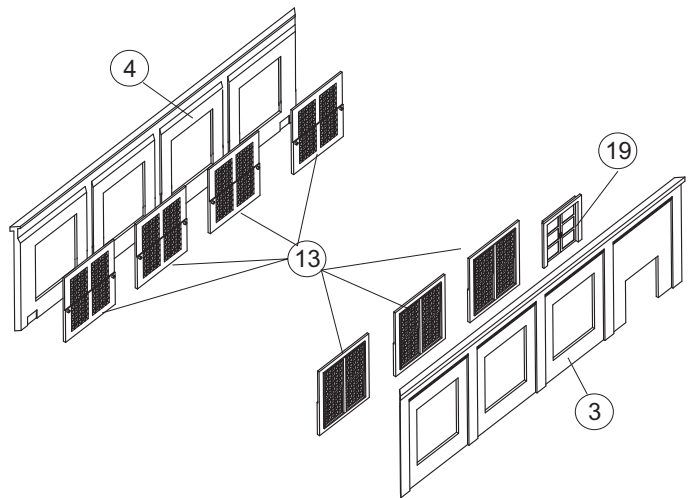
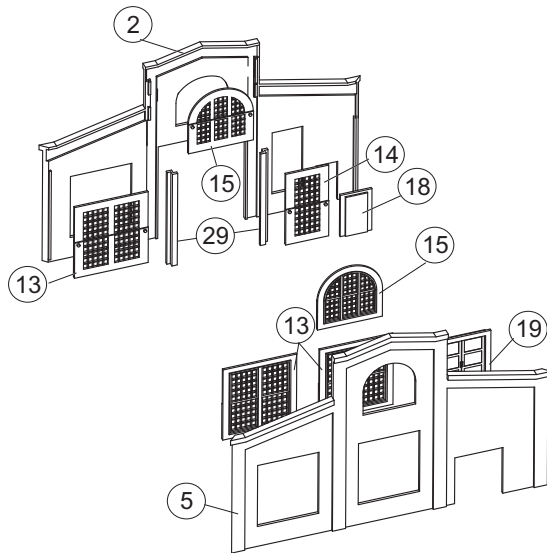




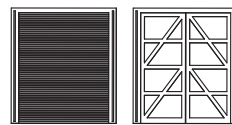
N Structure Kit UNION CRANE AND SHOVEL 933-3826

Thanks for purchasing this Cornerstone kit! All parts are made of styrene plastic, so use compatible glue and paint to complete your model. One of the most important advances of the 19th century was the steam shovel. Jobs that had taken months or years — or were simply dismissed as impossible — became routine, completely revolutionizing the construction industry. In time, the basic idea was adapted to other machinery, creating a new generation of excavators, draglines, cranes and similar lifting equipment. As demand grew, many new firms sprang up to construct, sell and repair steam-powered shovels and cranes. Always big and mechanically complex, the next advance came with gasoline and diesel engines in the early 20th century. These opened the door to all kinds of more compact but powerful machinery for the construction industry, leading many companies to expand their product lines. As these facilities grew, older buildings found new uses as specialized shops within the complex, warehouses and set-up and inspection areas. Check your local hobby shop or online at walterscornerstone.com for figures, machinery and other details to bring your finished model to life.

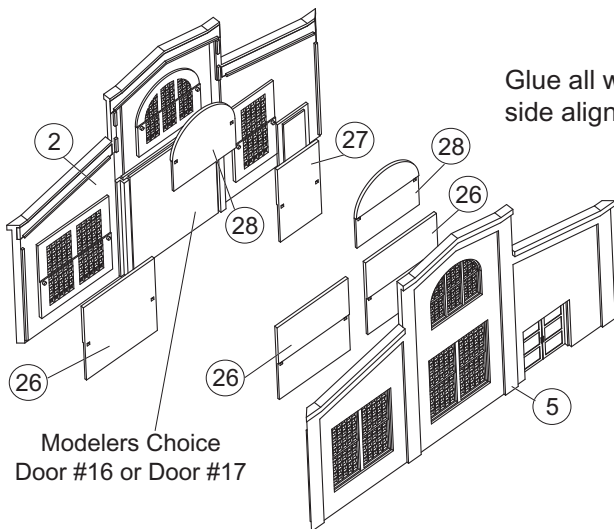
1) Glue the Window Frames (13, 14, 15), Door Castings (18, 19) to the backside of each Wall section (2, 3, 4, 5) as shown. Glue Door Channels (29) to End Wall (2) next.



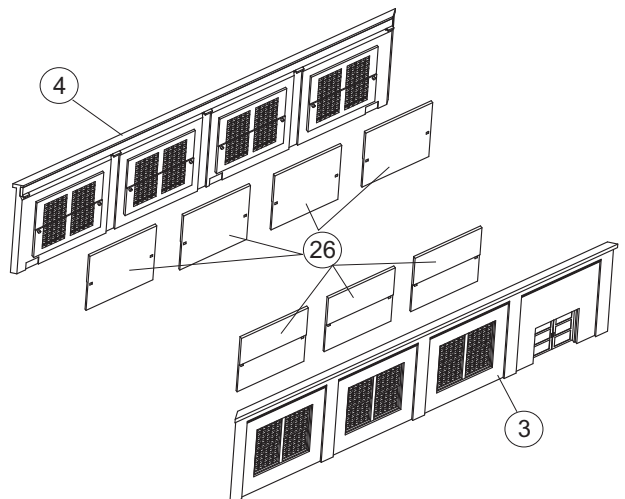
2) Choose the Roll-Up-Metal Door (17) or Wooden Door (16) and slide into Door Channels (29) from Step 1.

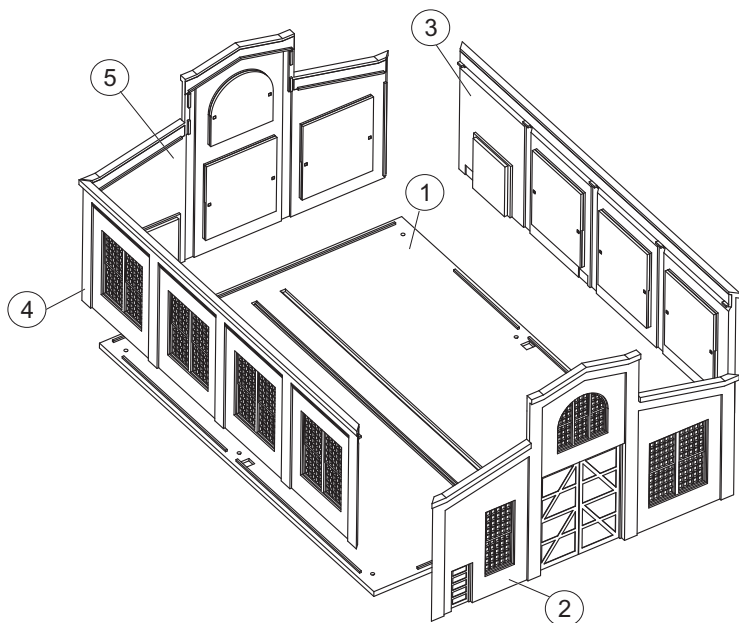


Glue all window "Glass" (26, 27, 28) in place, with the stepped side aligned against the back of the window frames.



Modelers Choice
Door #16 or Door #17

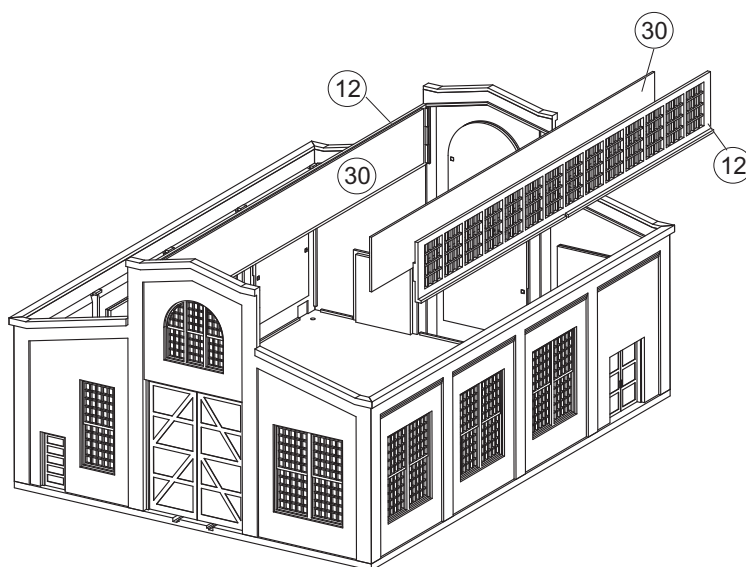




3) If you'd like to add rail service inside the building, the grooves in the Base (1) accept Code 83 or Code 100 Rail, sold separately. Glue rails in place with contact cement (i.e. Walthers GOO®) or a gel type CA Adhesive. Glue the walls together, but do not glue the structure to the base. Use the base as a guide to build a square assembly. This also allows removal for future track cleaning.

4) Glue "Glass" (30) to the backs of the Clerestory Window Frames (12) and allow to dry. Use the alignment tabs as a guide, and install completed Clerestory Windows between End Walls. Glue Lower Roof Sections (9, 10) and Upper Roof (11) in place.

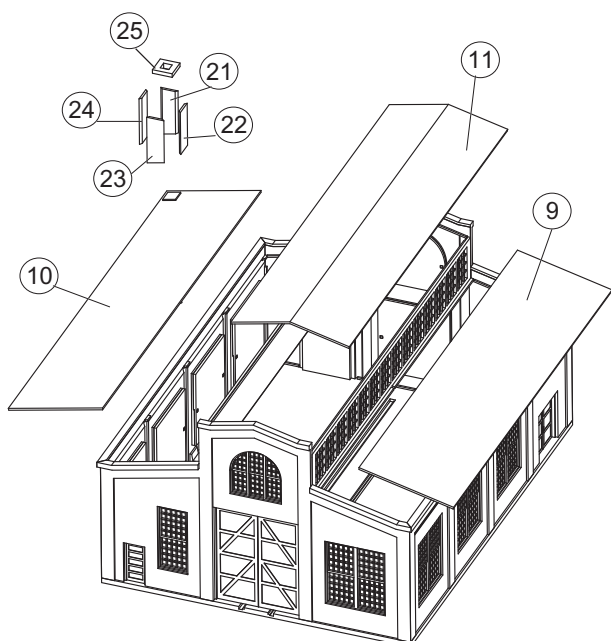
5) Glue Chimney parts (21, 22, 23, 24, 25) together. When dry, glue to Lower Roof (10).



DECALING INSTRUCTIONS

Please Note: Two styles of signs are provided; two with white borders, two without.

Handle these longer signs carefully to avoid tearing when wet and to keep them straight and centered during application.



- 1) Choose the sign to use. The "center on middle pilaster" markings are part of the decal sheet (not the decal). Use this mark on the remaining signs to center the decal properly.
- 2) Soak the decal in water for 20 seconds. Transfer the decal (still attached to the backing paper) to the model - be sure it is centered and below the area it will be applied to. Do not force the decal off the paper if portions stick - let it soak until it slides off easily.
- 3) When ready, gently push the decal upwards (off the paper and onto the wall) in short, equal motions to prevent tearing. Work from the center out, gently moving the decal into final position with a small brush. Wrap the decal around each pilaster as you go - making sure it is snug to all surfaces.
- 4) When satisfied with the placement, apply Micro Sol® to the top of the decal. This will soften it to create that "painted on" look. Do not touch the decal while the softening agent is working. When dry, check for bubbles. If any are found, pierce them with the tip of a sharp knife and apply more Micro Sol®.