



## HO Scale Structure Kit

# PAPER MILL

# 933-3902

Thanks for purchasing this Cornerstone Series® kit. All parts are made of styrene plastic, so use only compatible paint and glue. Please read the instructions and study the drawings before starting.

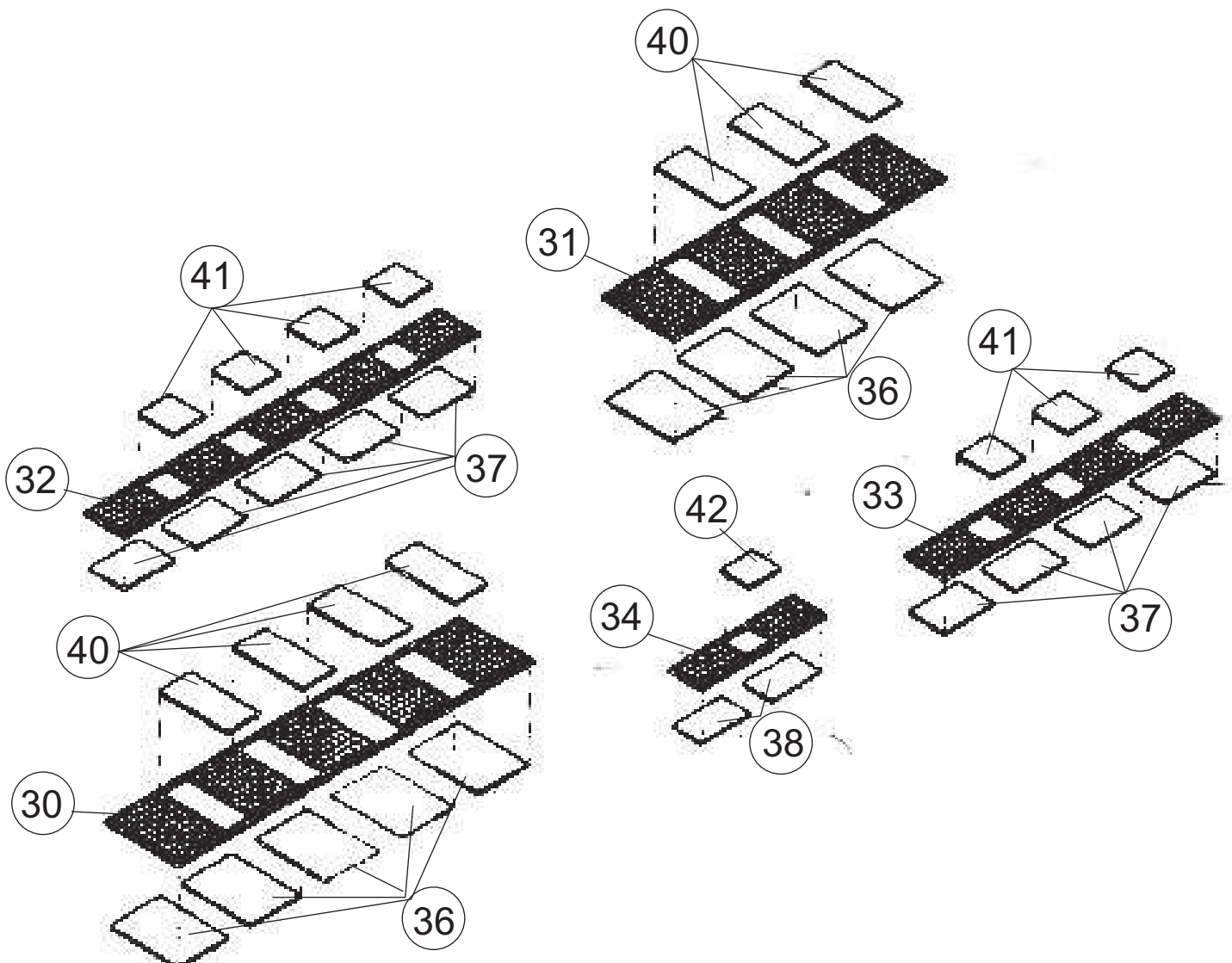
Requiring huge quantities of raw materials and shipping tons of finished products, paper mills are rail-intensive industries. Served by a wide range of specialized cars, they require frequent switching and many have their own in-plant locos.

Paper is an essential part of modern living. The average American uses 700 pounds of paper products yearly - used for everything from newspapers to food packaging. Papermaking methods developed around 105 A.D., and have evolved into a complex industrial operation to keep up with demand.

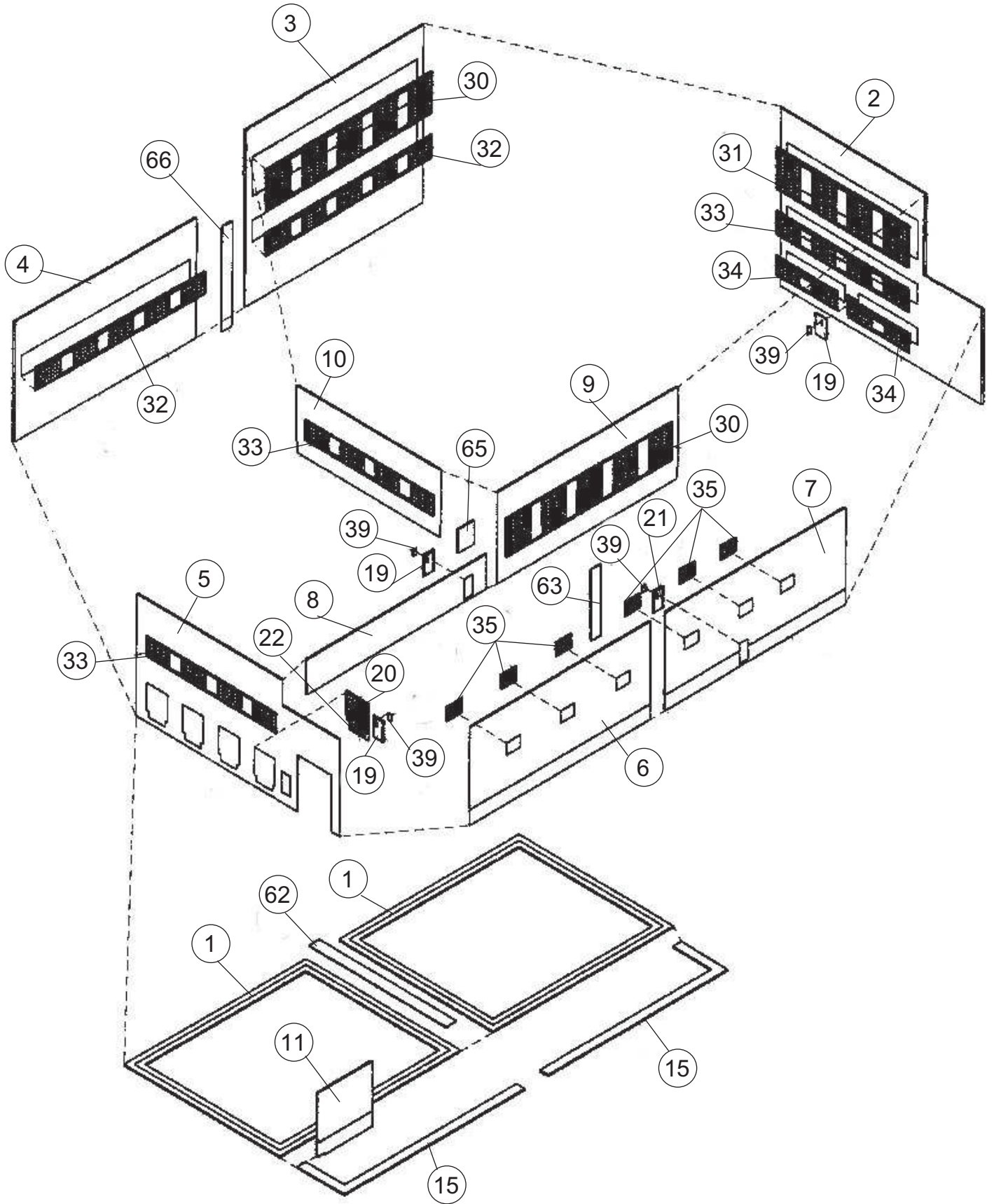
Modern papermaking starts with enormous quantities of wood chips, logs (chipped at the mill or brought in by rail) or recycled paper that arrive by rail. Inside special facilities, these raw materials are converted into pulp, then mixed with water and pumped into gigantic paper machines inside the mill to begin the manufacturing process. Mills are divided into two general areas, the "wet end" where pulp becomes paper, and the dry end, where the finished product is readied for shipment, or undergoes additional processing before final shipment to the customer.

See your participating hobby shop or visit [walthers.com](http://walthers.com) for additional structures, freight cars and other accessories to model a complete paper mill on your layout.

Glue Brick Inserts (40, 41, 42) into the slots in the front of the window frames (30, 31, 32, 33, 34). Glue Window Glass (36, 37, 38) to the back of their respective frames.

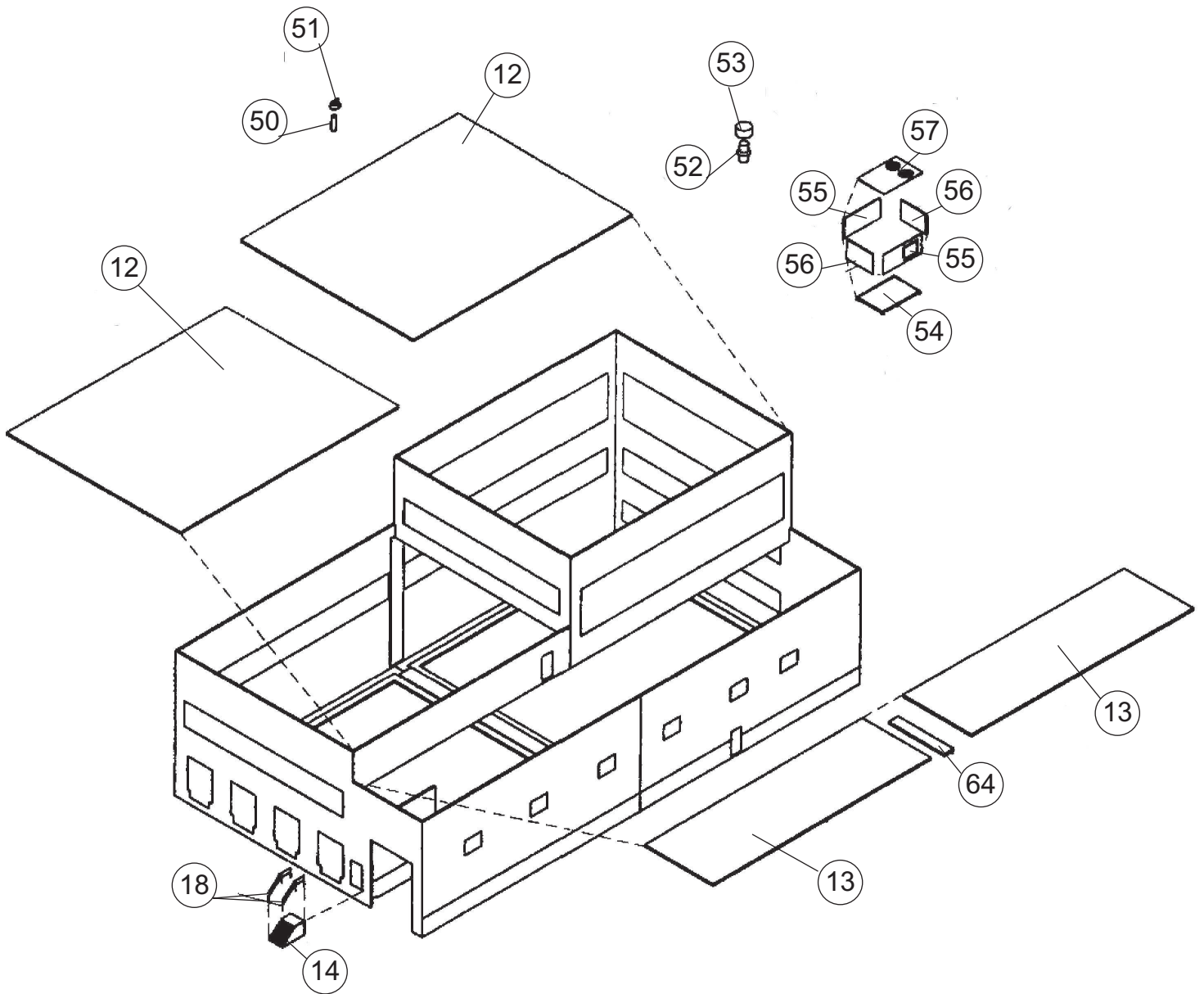


Glue Window Assemblies to Walls (2, 3, 4, 5, 9, 10). Glue Overhead Doors (20) and Truck Apron (22) to back of Wall (5). Glue the Window Glass (39) to the back of Small Doors (19, 21). Glue Small Doors to Walls (2, 5, 7, 8). Glue Vents (35) to Walls (6, 7). Glue Bases (1) end to end and reinforce with part #62. Glue Outer Bases (15) together and to the main ones as illustrated. Glue wall sections (3, 4), (6, 7) and (8, 9) together. Reinforce with pieces 66, 63 & 65. Glue Walls (2), (3, 4) and (5) to the outside of the base. Glue short inner Wall (11) to the base and Wall (5). Glue Wall Sections (8, 9) in between and to the top of Walls (2, 5). Glue walls (6, 7) to the base and walls (2, 5) Finally glue Wall (10) in place.



Glue Roofs (13) together end to end and reinforce the bottom with piece (64). Next, glue this assembly in place. Before gluing the other roofs (12), open up holes from the bottom of the roof pieces wherever a Small Stack (50) or Stack Vent Combo is desired. For Vents use Part 50 with Part 51 glued on top. For larger Vents glue part 52 and 53 together. Glue both Air Conditioner Units (54, 55, 56, 57) together and glue one to each Roof (12). For Small Stacks use Part 50.

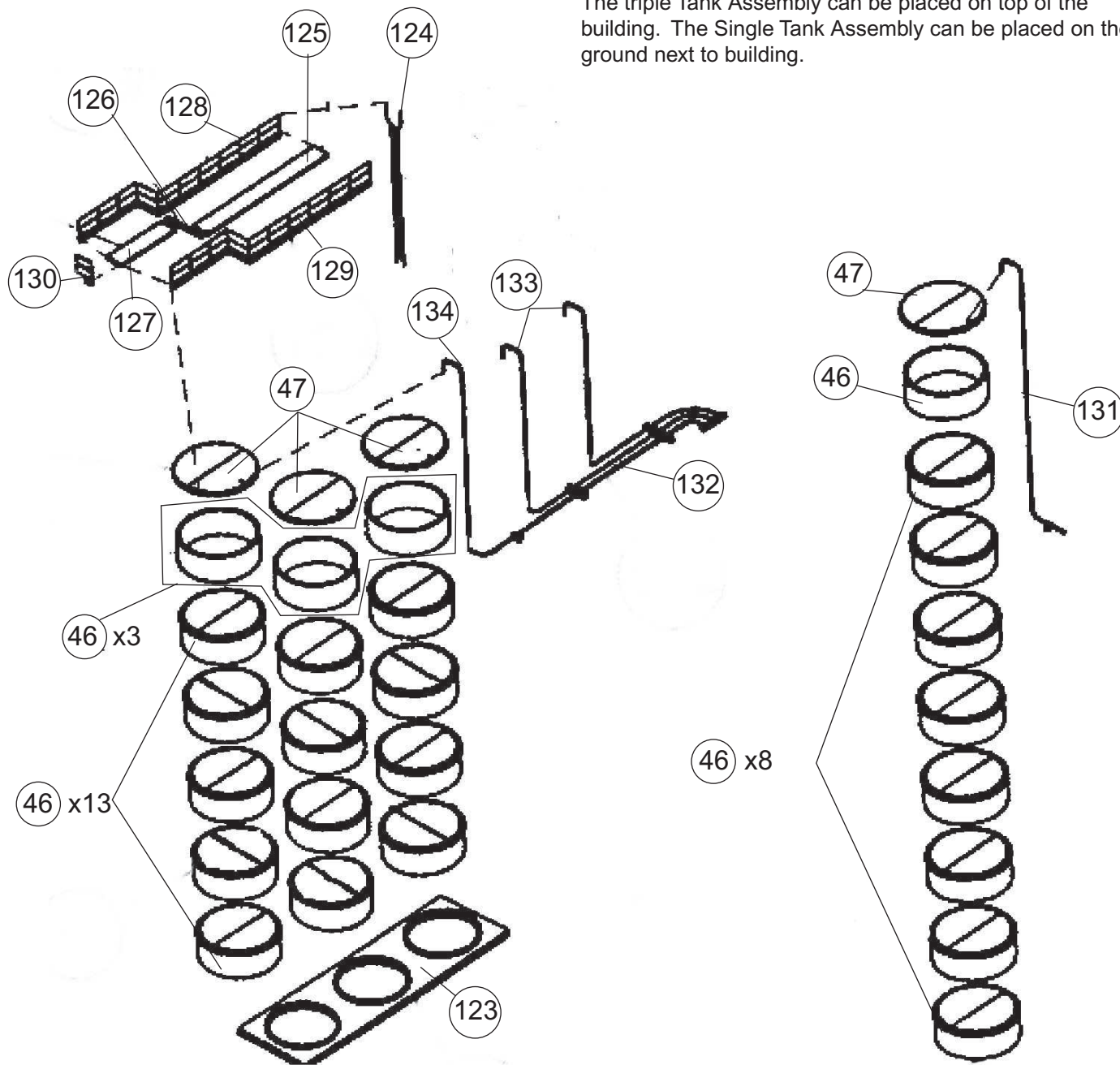
Glue the Railings (18) to the Stairs (14) and then the Stairs under the Small Doors on Walls 2 and 5.



Glue together two stacks of four Tank Sections (45) and one stack of five; each section should be offset 90 degrees from the one below. Glue one Open Tank Section (46) to the top of each stack. Glue the taller stack to one end of the base (123). Glue the other two stacks to the other locations on the base. Glue Tank Covers (47) to the top of each stack with holes all on same side. Glue walkway (124, 125, 126, 127, 128, 129, 130) together then to the top of the tank assembly. Glue on the Vertical Pipes (133, 134) to the Horizontal Pipe Group (132). Note: Adjust the Vertical Pipes in the tank tops until the Horizontal Pipe Group rests evenly on the surface next to the tanks.

Glue Another set of eight Tank Sections (45) together along with one Open Tank Section (46). Glue Tank Top (47) on top of new Tank Assembly. Glue on Tank Pipe (131).

The triple Tank Assembly can be placed on top of the building. The Single Tank Assembly can be placed on the ground next to building.



### Applying Decals

1. Cut out the decal and dip in water for 10 seconds. Remove decal from water and let stand for 1 minute. Slide decal onto surface and into position. Blot off any excess water.
2. Lightly brush Micro Sol® on top of the decal. This will soften the decal allowing it to conform to any irregular surfaces. DO NOT TOUCH DECAL while wet!
3. When the decal is thoroughly dry, check for any trapped air bubbles. Prick them with the point of a small pin or hobby knife blade and apply more Micro Sol®.